

REMOTE CONTROLLED DOG TRAINING COLLARS

OWNER'S MANUAL



Dogtra Company

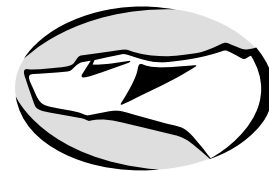
1250 E. 223rd Street, Suite 119
Carson, CA 90745

Tel : (310) 522-1800

Fax : (310) 522-1805

Web Site : www.dogtra.com

Toll Free: 1-888-811-9111



***dogtra* 2000T&B SERIES**

Training and Beeper Collar



TABLE OF CONTENTS

• OVERVIEW	4
• DOGTRA TRAINING & BEEP COLLAR	5
• dogtra 2000T&B SERIES FEATURES	6
• dogtra 2000T&B SERIES PACKAGE CONTENTS	6
• PRODUCT SAFETY AND HEALTH STATEMENTS	7
• dogtra 2000T&B SERIES TRANSMITTER & COLLAR PARTS	11
• OPERATING dogtra 2000T&B SERIES	
• CHARGING THE BATTERY	15
• ACCUSTOMING THE DOG TO THE BEEPER SOUND	17
• MAINTENANCE	18
• WARRANTY AND REPAIR INFORMATION	19

THANK YOU FOR CHOOSING A *dogtra* COMBINATION TRAINING/BEEPER COLLAR!

The *dogtra 2000T&B SERIES* remote training system will give you the ability to keep track of your dog's location when he is out of sight or on point.

The *dogtra 2000T&B SERIES* is also a training collar that can be used for behavior management.

The *dogtra* combination training/beeper collars are waterproof, lightweight and reliable. They are built to withstand the most rugged conditions that dogs often encounter.

The use of a sound booster element makes the beeper easier to hear from further away. However, the actual distance from which any beeper can be heard will vary depending on your position relative to your dog and the direction of the wind.

The use of microcomputer technology, digital circuitry and Ni-MH batteries make both the collar and transmitter compact and very reliable.

dogtra TRAINING & BEEPER COLLAR

The *dogtra 2000T&B SERIES* features reliable stimulation controlled from the transmitter. It also has a remote beeper with three modes. In the "Run/Point" mode, it beeps every 7.5 seconds while the dog is running and every two seconds when the dog is on point. In "Point" mode, the collar is silent until the dog stops, and then it beeps every two seconds. In the "Locate" mode it will beep as long as you press the "Locate" button. The tone of the beeper can be selected with a toggle switch located on the transmitter. There are two beeper modes : high and low.

The *dogtra 2002T&B* collar also comes in a two-dog model. The collars are color-coded and you select between collars with a toggle switch located on the transmitter. The orange collar emits a low-tone double beep in all modes and the black collar emits a high-tone single beep in all modes. This gives you the ability to differentiate between dogs when both are out of sight.

***dogtra* 2000T&B SERIES FEATURES**

- E-collar range - 1 mile
- Stimulus type - “Nick”, “Constant”
- Remote-controlled beeper range of 400 yards
- Low and high tone beepers
- Three beeper modes - “Run & Point”, “Point” and “Locate”
- Ni-MH rechargeable batteries

***dogtra* 2000T&B SERIES PACKAGE CONTENTS**

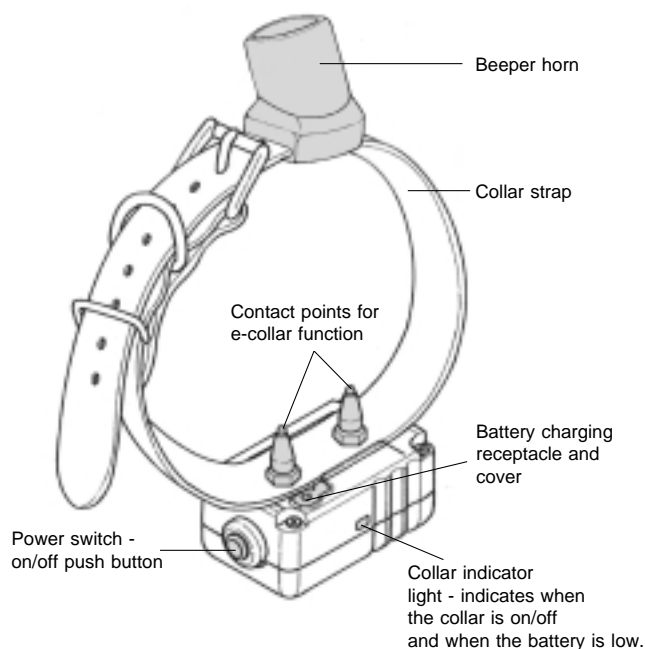
- Carrying case
- Collar with beeper
- Transmitter
- Battery charger and splitter cable
- Owner’s manual
- Test light

PRODUCT SAFETY AND HEALTH STATEMENTS

- ***dogtra*** collars use state-of-the-art micro-technology.
- If the constant button is held down for more than 12 seconds, an automatic power-down circuit will activate.
- A filtering system prevents unwanted reception from outside sources.
- ***dogtra*** collars are intended for the sole use for training dogs.
- Dogs should be in good health during any e-collar training.
- ***dogtra*** collars are not intended for use on dogs weighing less than 12 pounds or less than 6 months of age.
- Discontinue use if signs of irritation begins to appear on the dog’s skin around the neck caused by the rubbing action of the collar strap and/or contact points.
- Do not attempt to test ***dogtra*** collars on humans or other animals.

dogtra 2000T&B SERIES TRANSMITTER & COLLAR PARTS

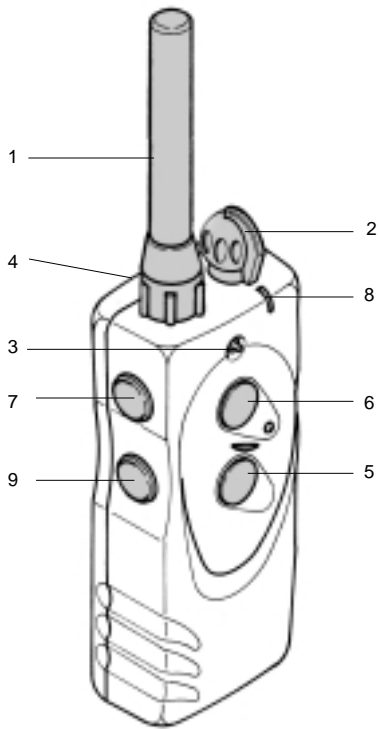
dogtra 2000T&B SERIES Collar Parts



dogtra 2000T&B SERIES Transmitter Parts

1. Antenna
2. Stimulation intensity selection dial
3. Toggle switch allows you to select between low and high tones. (On two-dog models, the toggle switch allows you to select between black and orange collars.)
4. Battery charging receptacle and cover plug
5. Constant Button - implements constant stimulation as long as you hold the button down (for up to 12 seconds)
6. Nick Button - implements a very short single pulse of electrical stimulation
7. Locate Button - causes the collar horn to emit a series of beeps when pushed
8. Transmitter Indicator Light - indicates when the transmitter is activated
9. Mode button - Run/point and Point mode

dogtra 2000T&B SERIES TRANSMITTER



OPERATING THE *dogtra* 2000T&B

The *dogtra* 2000T&B collar has three beeper modes along with constant and nick stimulation from the electric collar.

In the "Run/Point" mode it emits a double beep every 7.5 seconds while the dog is running. In the "Point" mode it remains silent while the dog is running. In both the "Run/Point" and "Point" mode, the collar gives a double beep every two seconds while the dog is on point.

The collar will emit a rapid series of beeps as long as the "Locate" button is held down. The training collar features both constant and nick stimulation. Stimulation automatically shuts off if the constant button is depressed for 12 seconds or more.

The beeper function is selected with the bottom button ("Mode") and the top button ("Locate") on the side of the transmitter.

E-collar function is selected with the bottom button ("Constant") and the top button ("Nick") on the front of the transmitter.

To activate the beeper unit press the MODE button on the side of the transmitter. (**Note** : the ON/OFF button on the dog collar/receiver must be activated for the beeper to operate.)

The first time you press the MODE button, the collar will beep twice. The beeper unit will always start in the Run/Point mode where the collar beeps every 7.5 seconds when the dog is running and beeps every two seconds when the dog is stationary/on point.

To select the point mode press the MODE button a second time. The collar will beep once. It is now in the point mode where the beeper will beep every two seconds when the dog is stationary/on point and is silent when the dog is running.

To turn the beeper unit off, press the MODE button a third time. The unit will emit three rapid beeps. The beeper unit is now off.

MODE \ Action of a dog	running	on point
RUN/POINT	every 7.5 seconds	every 2 seconds
POINT	silence	2 seconds

To turn the collar on, press the on/off button on the collar and hold it down until the red indicator light comes on (about 1 second). The on/off switch has a built-in delay so that the collar can not be turned off if accidentally bumped.

INTENSITY SELECTION DIAL

The intensity selection dial is located on the top of the transmitter.

Number one is the lowest level and number one hundred is the highest level.

In the fully counter clockwise position- “zero” setting- no electrical stimulation occurs even when the constant button or the nick button is pressed (a safety feature).

Moving the dial from the “zero” setting in a clockwise manner will increase the electrical stimulation.

Conversely, moving the dial counter-clockwise will lower the stimulation level.

NOTE : Intensity can be increased or reduced during actual stimulation.

dogtra 2002T&B TWO DOG UNIT

The *dogtra* 2002T&B two-dog unit operates just like the *dogtra* 2000T&B single-dog unit. The mode difference is at the transmitter where a toggle switch allows you to select either collar.

The toggle switch is color-coded with black and orange to match the black and orange collar straps. The orange collar emits a low tone double beep and the black collar gives a high tone single beep so you can distinguish between dogs when they are out of sight.

The two-dog models have a toggle switch on the face of the transmitter located above the “Nick” button. The toggle switch allows for selection of either collar.

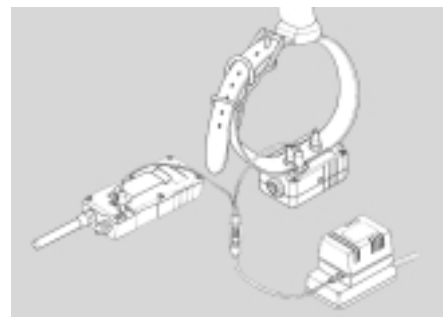
Set the toggle switch on the orange position to select the orange collar and the black position to select the black collar.

ORANGE COLLAR	double beep with low tone
BLACK COLLAR	single beep with high tone

CHARGING THE BATTERY

BATTERY CHARGER PARTS

- Charger- AC adapter and lead.
- Battery Charging Cable- This cable allows you to charge both the collar and transmitter at the same time. The single lead connects with the charger lead. The two identical leads go into the collar receptacle and/or the transmitter receptacle. They are interchangeable between the transmitter and collar.
- The two-dog model includes an adapter charger lead for two collars and the transmitter.



BATTERY CHARGING

When the batteries need recharging, the LED light will emit a rapid, double flash every 2 seconds. If the batteries have been allowed to run completely down, the indicator light may not come on at all.

Be sure to turn off the collar receiver before charging.

To charge the batteries, connect the single side of the splitter cable to the battery charger. Connect one side of the splitter cable into the collar and the other side into the transmitter. Then, plug the charger into a household outlet. Recharge batteries for 14 hours. (See battery charging diagram.)

Both the collar receiver and transmitter indicator light will glow continuously while the batteries are charging.

After disconnecting the cable, close the receptacle covers. Be sure the rubber plugs are completely seated over the receptacle to prevent dirt from entering.

ACCUSTOMING THE DOG TO THE BEEPER SOUND

Turn on the beeper collar and leave it outside the dog's kennel area for about a half-hour.

Repeat this several times, until you can see that the dog disregards the beeper.

Next, fill the speaker horn with tissue paper to muffle the sound. Fit the beeper collar on the dog. Gradually, remove some of the tissue paper as the dog becomes accustomed to the beeping sound.

Now, when you take him hunting, he will be accustomed to the beeper sound.

MAINTENANCE

Reception

The **dogtra 2000T&B SERIES** collar has a range of 1 mile. Depending on the way you use your transmitter, the transmitting range may vary.

Hold the transmitter away from your body and avoid touching the antenna to get the greatest range.



Maximum Range



Typical Range



Minimum Range

If your finger touches the antenna near the dial on the top of the transmitter, the actual range may be reduced.

WARRANTY AND REPAIR INFORMATION

Warranty Repair

Dogtra Company provides the original purchaser a two-year limited warranty on parts and labor from the date of the original purchase. The warranty does not cover failure resulting from damage, abuse or loss of parts. The warranty is void if the unit has been altered or an unauthorized person has attempted work.

A copy of the sales receipt showing purchase date is required before warranty work is begun.

Write a note briefly explaining the problem and include your name, address, city/state/zip code, daytime and evening phone numbers.

Ship to :

Dogtra Company

1250 E. 223rd Street, Suite 119
Carson, CA 90745

For any questions concerning your dogtra products call us Toll Free at 1-888-811-9111.

REPAIR

Out of Warranty Repair

For repair work that is no longer covered by warranty, the cost of repair will include parts, labor and shipping. Write a note briefly explaining the problem. Include your name, address, city/state/zip code, daytime phone number and evening phone number.

Send equipment to:



Dogtra Company

1250 E. 223rd Street, Suite 119

Carson, CA 90745

Tel : (310) 522-1800

Fax : (310) 522-1805

Toll Free: 1-888-811-9111